

# NEC

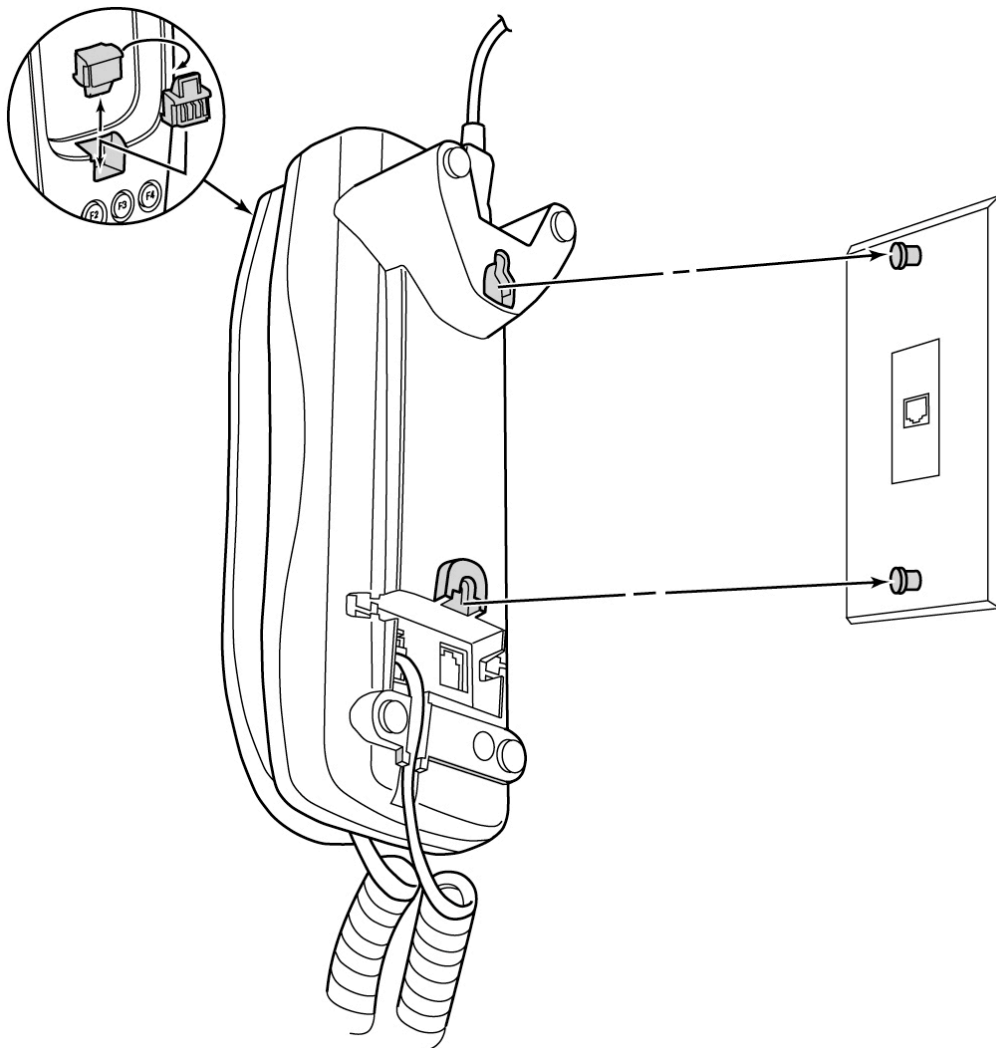
## USB Handset

### UTR-1-1 (BK) Installation Guide

## Wall Mounting

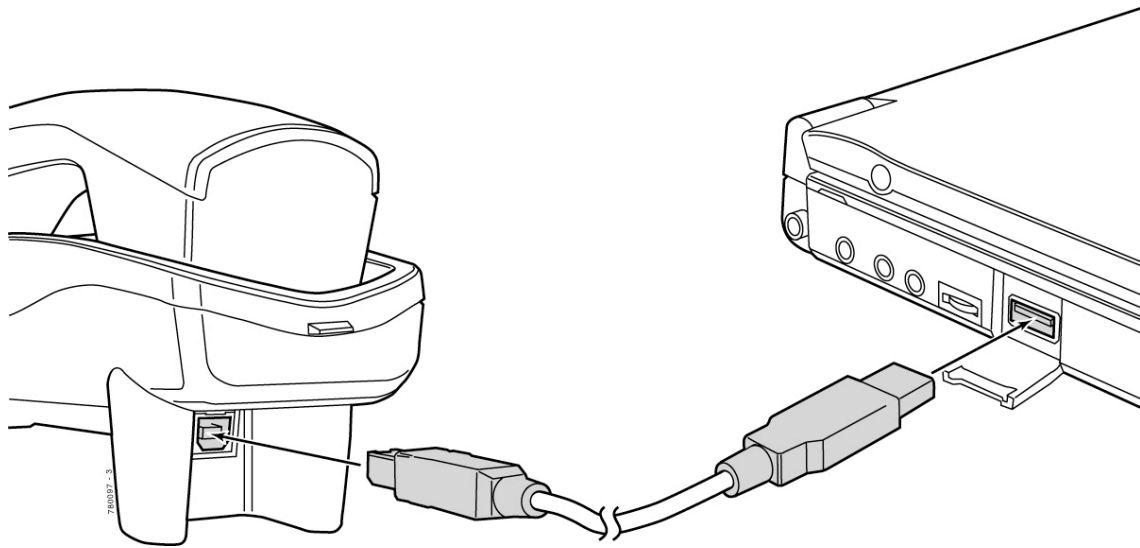
UTR-1-1 can be installed on the wall by using a wall plate. There are two wall mounting holes on the base of UTR-1-1. To hang the UTR-1-1, align the holes and slide it on the wall plate.

Remove handset hanger hook and rotate as illustrated below.



## USB Connection

Plug the USB cable (Type A connector) into the back of cradle and plug USB cable (Type B connector) into your PC's USB port.



## Handset Connection

Plug the handset connector (RJ-11) into the bottom of cradle. Route the handset cable in the handset groove.

